



# BDS



## SEATING SOLUTIONS

---

Adjustable height  
Adjustable backrest  
Adjustable torso support



Model  
AT-96

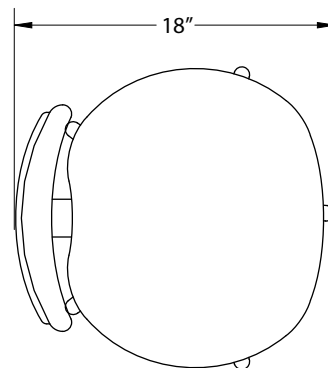
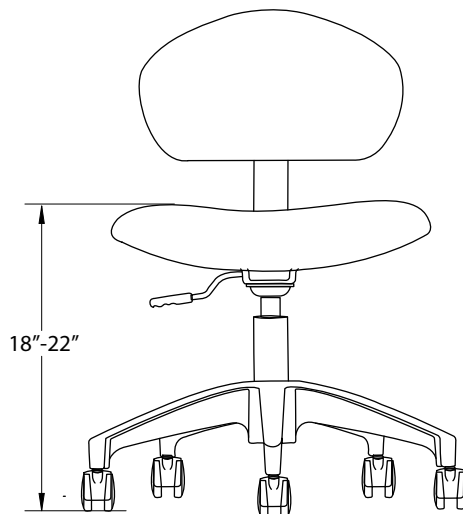
# SEATING SOLUTIONS

The BDS commitment to comfortable, reliable, and durable seating does not stop with the patient. BDS knows that trouble-free seating improves productivity, so we offer simple seating for both Doctors and assistants. Our Doctor's stool provides an adjustable backrest,

Model  
**DR-96**



Model  
**DR-97**

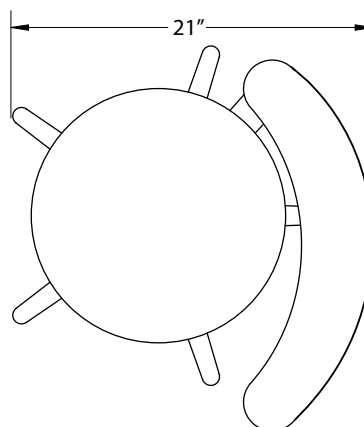
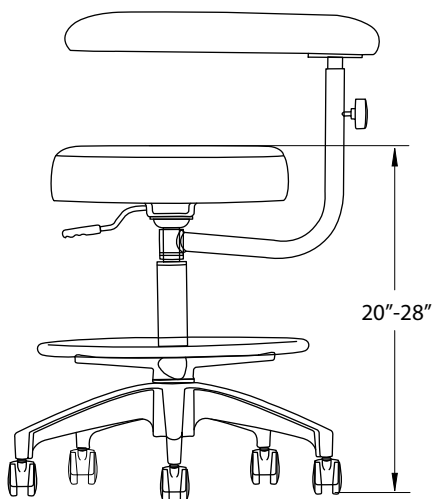


and the Assistant's stool utilizes an adjustable torso support, while both include height adjustment. With BDS seating in the operator, everyone is comfortable, and the job gets done.

Model  
**AT-96**



Model  
**AT-97**



800.237.2303

info@beaverstatedental.com

FEATURES OF OPERATORY STOOLS	DR-96	AT-96	DR-97	AT-97
Contoured seamless seat	■			■
Round seat, 15-1/2" x 4"		■		
Round seat, 15-1/2" x 4"	■		■	
Contoured seamless semi-rectangular back upright	■			
Contoured seamless oval back			■	
Chrome plated, full padded body support		■		■
Chrome plated, pneumatic cylinder with height adjustment, 18"-22"	■		■	
Chrome plated, pneumatic cylinder with height adjustment, 20"-28"		■		■
5-leg, powder coated base	■	■	■	■
Twin wheel casters	■	■	■	■
Adjustable foot ring		■		■
Standard Nauga Soft upholstery	■	■	■	■
VContoured seamless seat with tilt			■	
Chrome plated back upright with tilt			■	
Ratcheting body support				■
<b>OPTIONS OF OPERATORY STOOLS</b>				
Ratcheting body support with plastic cover		■		
Hard floor casters, set of 5	■	■	■	■
Additional upholstery options may be available upon request	■	■	■	■
Ultraleather (in lieu of standard upholstery)	■	■	■	■
Taller cylinders available upon request	■	■	■	■



www.bdsystems.us  
 115 S. Elliott Road, Newberg, OR 97132  
 800.237.2303

800.237.2303  
 info@beaverstatedental.com